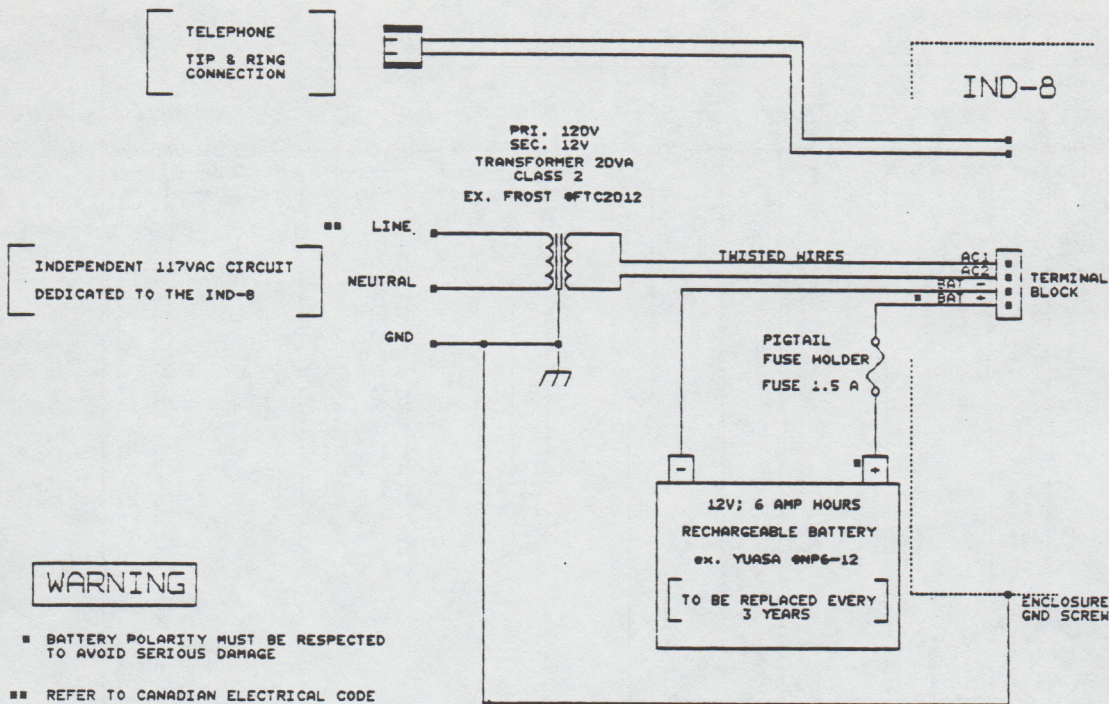


POWER SUPPLY & TELEPHONE CONNECTION FOR THE IND-8

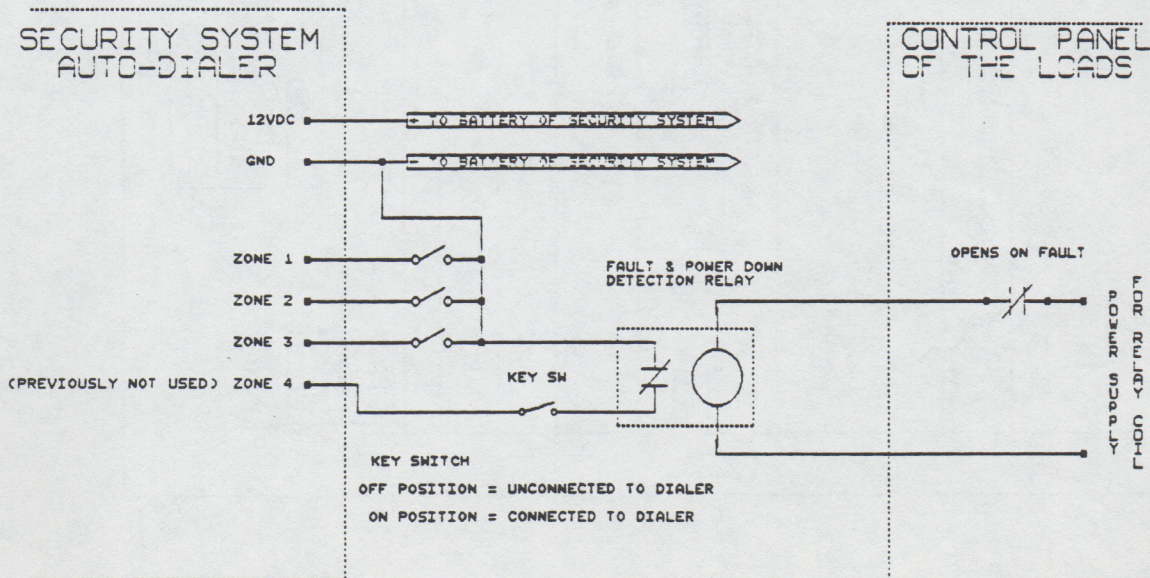
FIGURE 1



IND8FIG1.DWG REV 0

CONNECTION OF THE IND-8 TO AN AUTOMATIC DIALER

FIGURE 2



■ ■ GENERIC DRAWING; CONSULT YOUR SECURITY COMPANY ■ ■

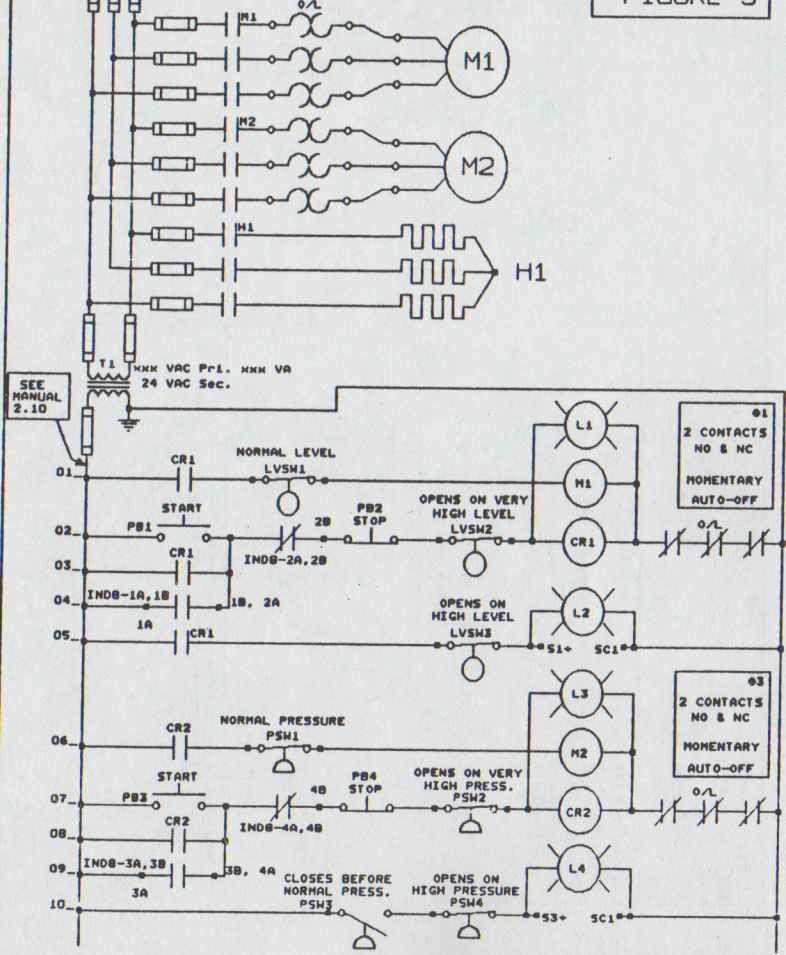
■ ■ REFER TO CANADIAN ELECTRICAL CODE ■ ■

IND8FIG2.DWG REV 0

MMX V - 3 PH - 60 CY

GENERIC APPLICATION OF CONTROLS OPERATED REMOTELY BY TELEPHONE

FIGURE 3



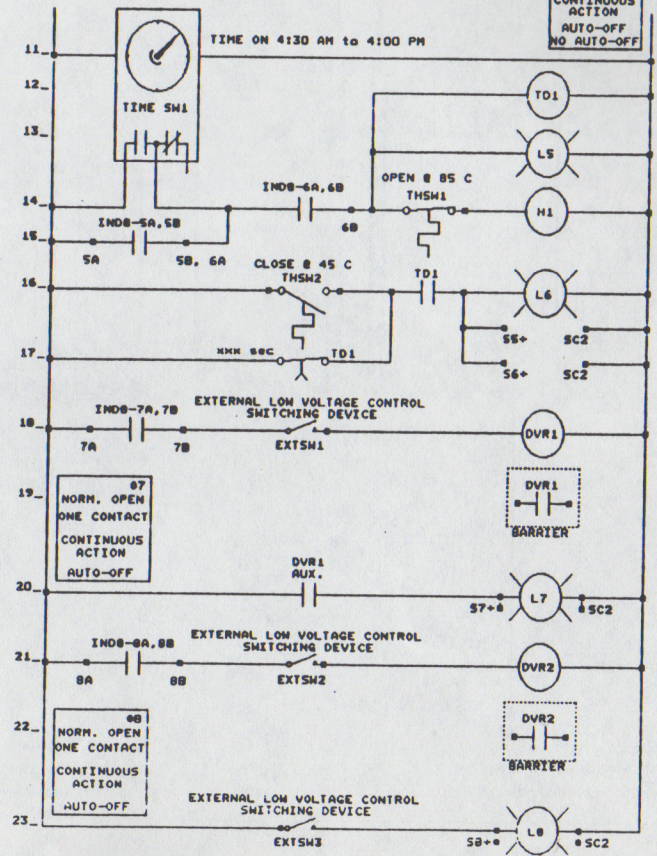
*** IMPORTANT ***

POWER SUPPLY FOR THE IND-B SHOULD HAVE A SEPARATE SOURCE (SEE "ELECTR. INSTALL.")

THIS IS A GENERIC APPLICATION SCHEMATIC DRAWING FOR UNDERSTANDING THE OPERATION OF THE IND-B. EXTRA SAFETIES AND/OR ELECTRICAL INTERLOCKS ARE NOT SHOWN.

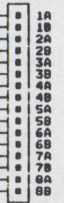
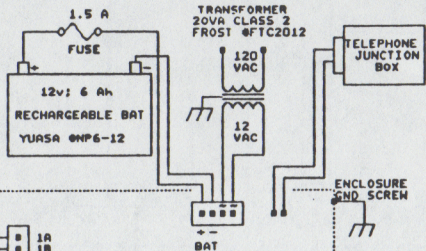
REFER TO CANADIAN ELECTRICAL CODE

05 & 06
NO
2 CONTACTS
CONTINUOUS
ACTION
AUTO-OFF
NO AUTO-OFF



INTERCONNECTION DIAGRAM FOR FIG. 3 SCHEMATIC

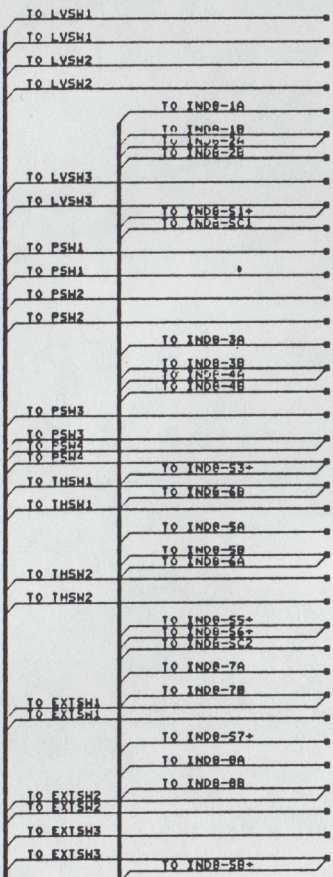
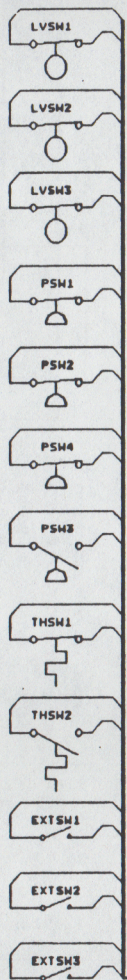
FIGURE 4



IND-8

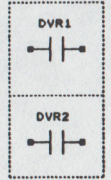


26 CONDUCTORS
LOW VOLTAGE



CONTROL
PANEL

SEE SCHEMATIC
DIAGRAM
(FIGURE 3)



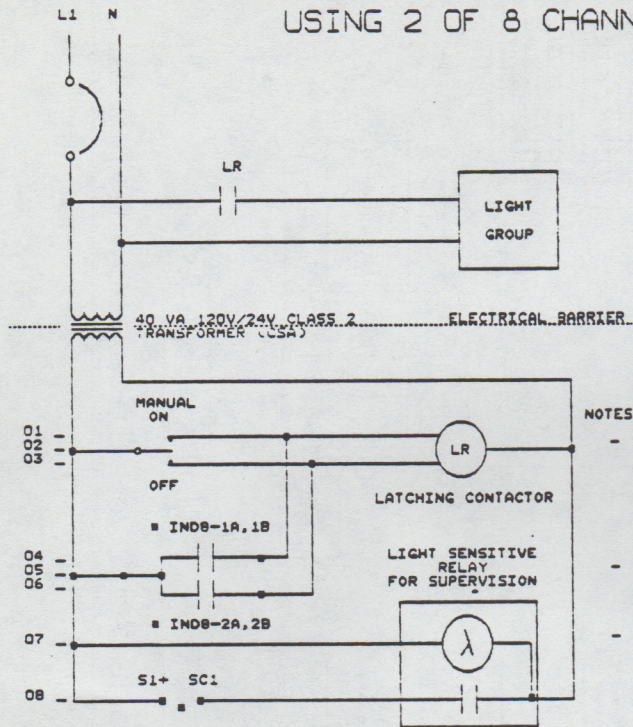
PROVIDE EXTRA SAFETIES & ELECTRICAL INTERLOCKS IF NECESSARY.

==GENERIC DRAWING OF EXAMPLE OF INSTALLATION==

=== REFER TO CANADIAN ELECTRICAL CODE ===

LOW VOLTAGE LIGHT CONTROL
FOR INDUSTRIAL, COMMERCIAL AND INSTITUTIONAL BUILDINGS
OPERATED REMOTELY BY TELEPHONE
USING 2 OF 8 CHANNELS

FIGURE 5



■ INDICATES A CONNECTION IN THE IND-8 PANEL

NOTES:

- IND8-1A, 1B & IND8-2A, 2B OUTPUT CONTACTS HAVE TO BE PROGRAMMED AS MOMENTARY & NORM OPEN CONTACTS WITH THE AUTO-OFF FEATURE NOT NECESSARILY ENABLED (SEE "PROGRAMMING THE IND-8")
- POWER SUPPLY FOR THE IND-8 SHOULD HAVE A SEPARATE SOURCE (SEE "ELECTR. INSTALLATION")
- THIS IS A GENERIC APPLICATION SCHEMATIC DRAWING EXTRA SAFETIES & ELECTRICAL INTERLOCKS ARE NOT SHOWN
- REFER TO CANADIAN ELECTRICAL CODE

GENERIC DIAGRAM FOR RESIDENTIAL APPLICATION

FIGURE 6

